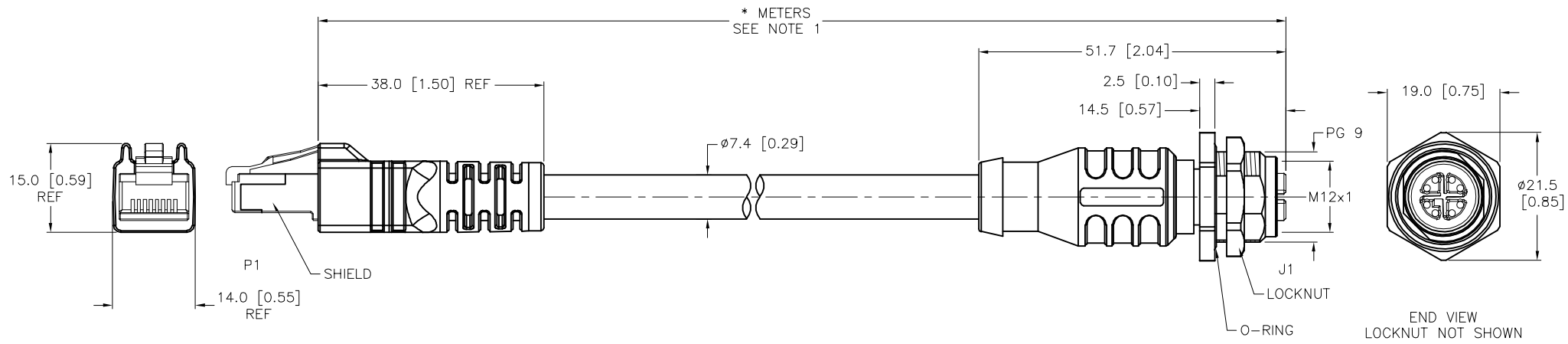


- PAIR — 1 = WHITE/ORANGE
 - 2 = ORANGE
 - 3 = WHITE/GREEN
 - PAIR — 4 = BLUE
 - 5 = WHITE/BLUE
 - 6 = GREEN
 - PAIR — 7 = WHITE/BROWN
 - 8 = BROWN
- } PAIR

- PAIR — 1 = WHITE/ORANGE
- 2 = ORANGE
- PAIR — 3 = WHITE/GREEN
- 4 = GREEN
- PAIR — 5 = WHITE/BROWN
- 6 = BROWN
- PAIR — 7 = WHITE/BLUE
- 8 = BLUE

SPECIFICATIONS	
CONTACT CARRIER MATERIAL (J1)	NYLON OR TPU
CONTACT MATERIAL/PLATING (J1)	BRASS/GOLD
HOUSING MATERIAL/PLATING (J1)	BRASS/NICKEL
CONTACT CARRIER MATERIAL/COLOR (P1)	POLYCARBONATE/CLEAR
MOLDED HEAD MATERIAL/COLOR	TPU/BLACK
CONTACT MATERIAL/PLATING (P1)	BRONZE/GOLD
RATED CURRENT [A]	0.5 A
RATED VOLTAGE [V]	42 V
OUTER CABLE JACKET MATERIAL/COLOR	TPE/TEAL
CONDUCTOR INSULATION MATERIAL	HDPE
NUMBER OF CONDUCTORS [AWG]	4UTP×26 AWG, STRANDED
SHIELDING	ALUM.-POLYESTER FOIL & T-C BRAIDED
TEMPERATURE RANGE	-40°C to +75°C (-40°F to +167°F)
PROTECTION CLASS	IEC IP67 AND NEMA 6P (J1); IP20 (P1)
TRANSMISSION CHARACTERISTICS	CAT 6A



CABLE LENGTH	TOLERANCE*
ALL LENGTHS	+ 4% (OR 50mm) OF LENGTH - 0% (OR 0mm) OF LENGTH WHICHEVER IS GREATER
STRIP LENGTH	TOLERANCE*
0-7mm	±0.5mm
8-29mm	±1.0mm
30-49mm	±2.0mm
50-69mm	±3.0mm
70-100mm	±4.0mm
OVER 100mm	±5.0mm

* UNLESS OTHERWISE SPECIFIED

SOURCE DRAWING - FOR REFERENCE ONLY

NOTES:
1. "*" INDICATES CABLE LENGTH IN METERS. CONTACT TURCK TO ORDER SPECIFIC LENGTHS.

RELATED DOCUMENTS	3RD ANGLE PROJECTION	THIS DRAWING IS CONFIDENTIAL AND THE PROPERTY OF TURCK INC. USE OF THIS DOCUMENT WITHOUT WRITTEN PERMISSION IS PROHIBITED.		3000 CAMPUS DRIVE MINNEAPOLIS, MN 55441 1-800-544-7769 (763) 553-7300 (763) 553-0708 fax www.turck.us	
1.		DRFT	RDS	DATE	08/10/16
2.		APVD	L.S.	SCALE	1=1.0
3.	ALL DIMENSIONS DISPLAYED ON THIS DRAWING ARE FOR REFERENCE ONLY	UNIT OF MEASUREMENT			DESCRIPTION
4.		MILLIMETER [INCH]			
MATERIAL	CONTACT TURCK FOR MORE INFORMATION	DO NOT SCALE THIS DRAWING			IDENTIFICATION NO.
FINISH		FILE: 777036836			REV
D	ADDED SHIELD	AS	07/21/23	78919	D
REV	DESCRIPTION	BY	DATE	ECO NO.	SHEET 1 OF 1